

DCJK subminiature switch



Technical specifications

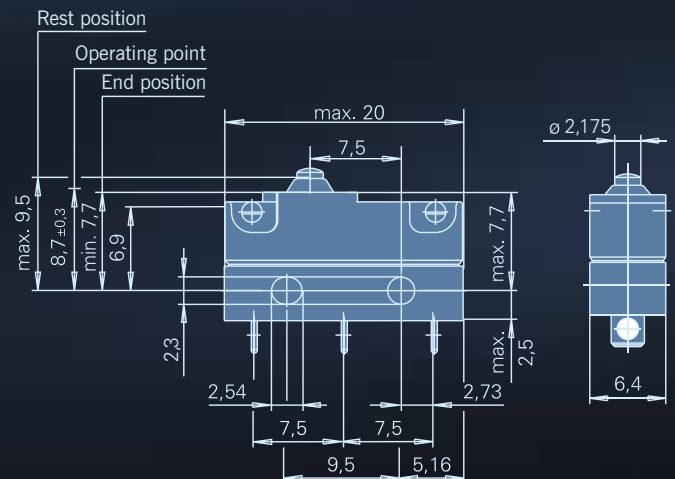
Contact configuration	S.P.D.T, S.P.S.T.-N.O. or S.P.S.T.-N.C.
Contact gap	< 3 mm
Switching voltage max.	12 VDC
Switched current	0,005 to 3 ADC
Operating force	300 cN without auxiliary actuator depending on model
Total travel	up to ca. 2,0 mm
Mechanical life	> 2 x 10 ⁶ operations
Electrical life	min 300.000 operations
Ambient temperature	-40 to + 85 °C / 120 °C
Model with leads	-40 to + 105 °C
Materials	
Housing	PET/PA
Actuator	POM (T85), PA (T120)
Auxiliary actuator	Stainless steel or plastic
Sealing gasket	SI, silicon-free alternative available
Terminals	CuZn (silver-plated)
Leads	Cu, PVC-sheated
Contacts	AgNi; Ag; SnO ₂ AuAgPt (Crosspoint) AgPd (Crosspoint) AuAg (Crosspoint)
Degree of protection (switch interior)	IP67

For detailed information and the layout of the details described above, please do not hesitate to ask for our technical specifications and drawing

Features

- Special variant of the DC switch for special applications
- Sealed switch protection type IP6K7
- Silicon-free version available
- Models available for 120 °C operating temperature
- Nominal currents up to 10 A at 12 VDC (on request)
- Optimal adjustment with 2 mounting positions and various auxiliary actuators, which can also be retrofitted
- Wide variety of terminal types;
- 3 pedestal heights
- High contact stability with various application-specific contact materials
- 4 different switching points can be selected
- No UL/EN approval

Dimensions in mm



Terminals

Type of terminal available off-the-shelf:

Solder terminal, straight

Connecting leads on actuator side

Connecting leads opposite actuator side

Types of connector available on request:

Welding terminal

Solder terminal

Solder terminal, lateral

PCB terminal 0,8x0,5 straight

PCB terminal 0,6x0,5 straight

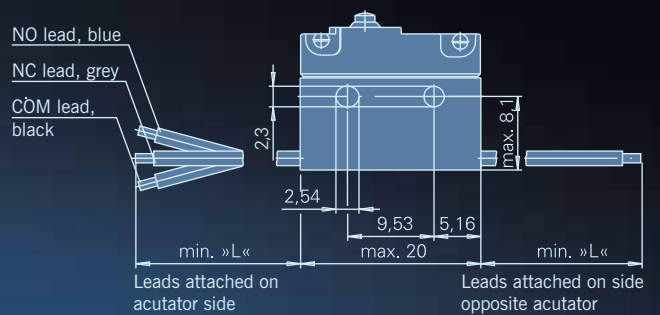
Auxiliary actuator options

Switches in the DC JK family have two mountings for attaching auxiliary actuators. This, combined with the range of actuators available in the DC switch family and various operating points, means that a wide variety of operating forces and travel combinations is feasible. To find the perfect fit for your requirements, please contact us.

Further information and order codes on request.

Switch options

Model with leads, 8,1 mm from base to drill hole



Model with leads, 5,2 mm from base to drill hole

Switching point options

For customizing to individual requirements, switches in the DCJK family are available with four different switching points.

